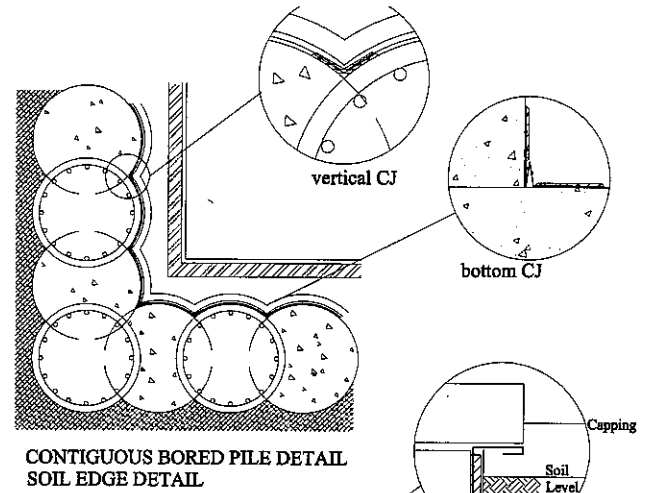
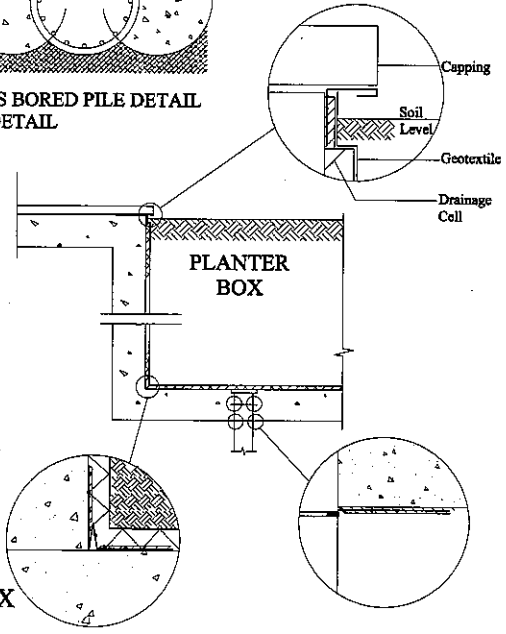


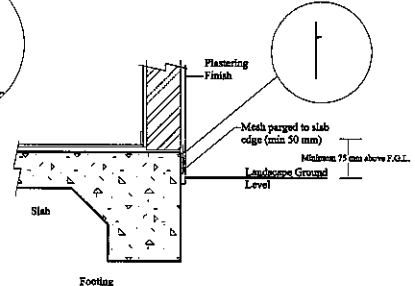
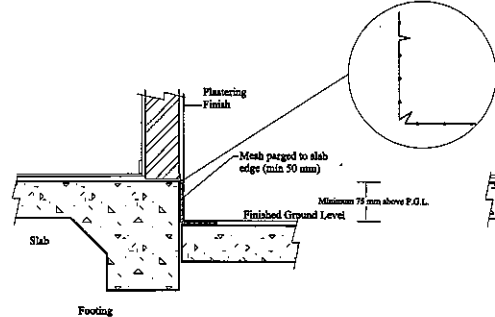
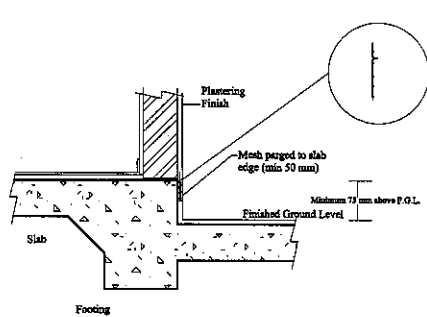
**SPECIFICATION BASEMENT DETAIL**



**CONTIGUOUS BORED PILE DETAIL SOIL EDGE DETAIL**



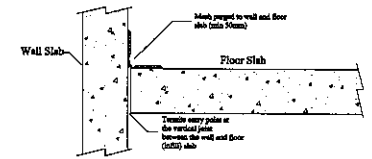
**PLANT BOX DETAIL**



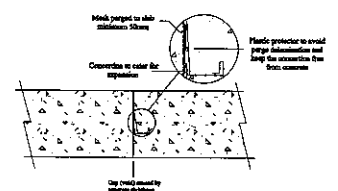
**SLAB PERIMETER INSTALLATION SUSPENDED SLAB DETAIL**

**SLAB PERIMETER INSTALLATION NON-SUSPENDED SLAB DETAIL**

**SLAB PERIMETER INSTALLATION SOIL EDGE DETAIL**



**PERIMETER JUNCTION**



**PRE-POUR CJ**

**NOTES:**

This document is intended only for the use of the individual or entity to which it is addressed to and may contain information that is privileged, confidential and exempt from disclosure under applicable law. If you are not intended recipient, you are hereby notified that any use, dissemination, or copying of this document is strictly prohibited. If you have received this document in error, please notify us immediately by telephone, and return this original document to us at the above address at sender's cost. Thank you.

The TERMI-MESH System is designed to stop subterranean termites from entering a building by blocking any foundation entry points including construction and control joints, cavity walls below final ground level, retaining walls, service pipe penetrations through slabs, blockouts in concrete, brick/block piers. The System consists of a stainless steel mesh, stainless steel clamps and TERMI-PAKCE (a specialised bonding cement).

**SPECIALIST SUB- CONTRACTOR**  
 Termi-Mesh Singapore Pte Ltd  
 41 JALAN PONDICHY TAY AN SELLING 68-08  
 SINGAPORE 0805  
 TEL: 6285251 FAX: 6285443

**DRAWING TITLE:**  
**TERMI-MESH INSTALLATION DETAILS**

COORDINATED:			
ARCH.	MECH.	ELEC.	CIVIL
JOB NO.		DATE	SCALE
DRAWN		CHECKED	BY/DATE
DRAWING NO.		REV.	
TERMI/0103-001/cbp			

**TERMI-MESH INSTALLATION DETAILS**